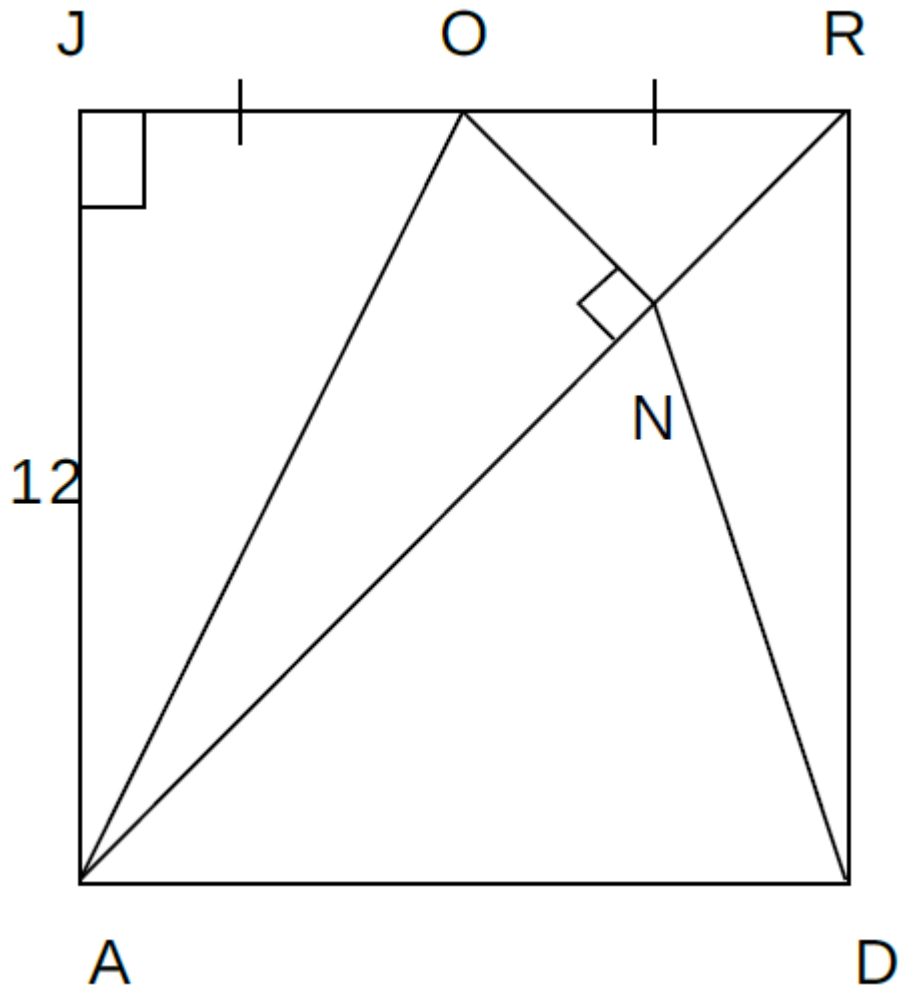


ONE BIG SQUARE



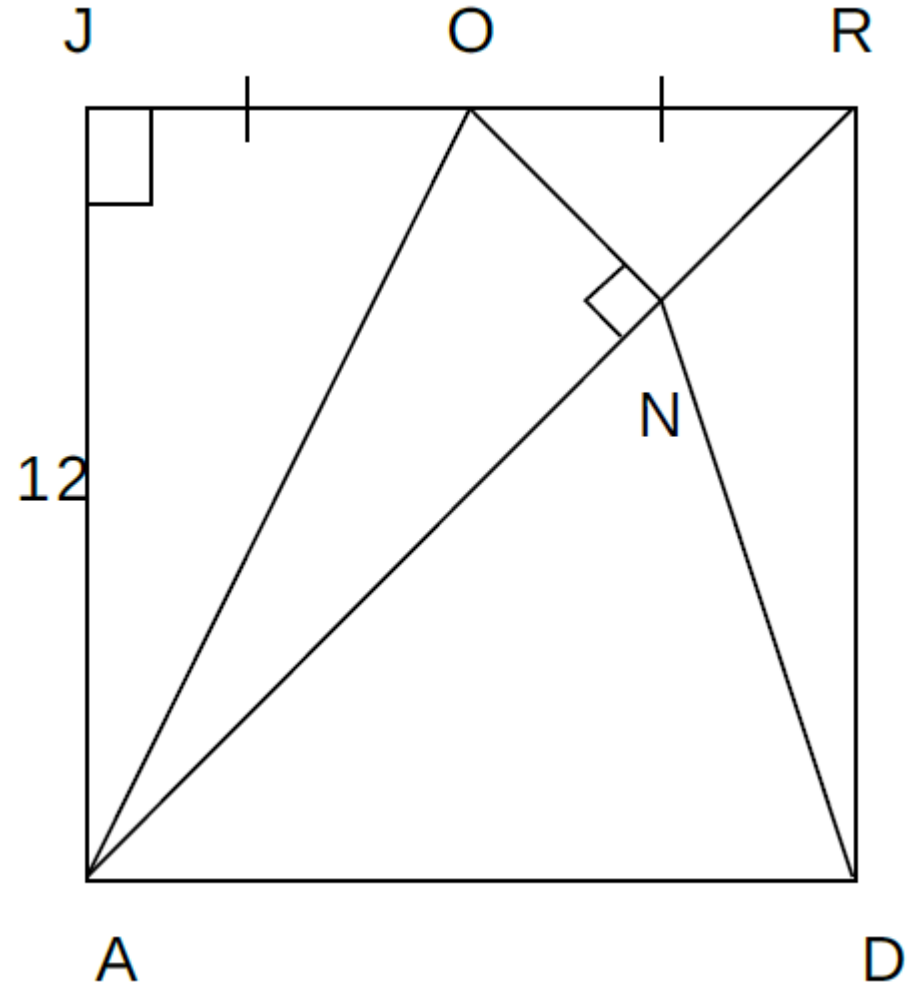
AO = _____

RN = _____

AN = _____

ND = _____

ONE BIG SQUARE



AO = _____

RN = _____

AN = _____

ND = _____